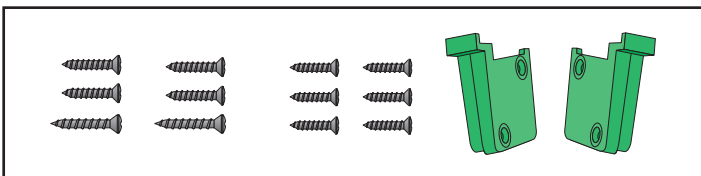
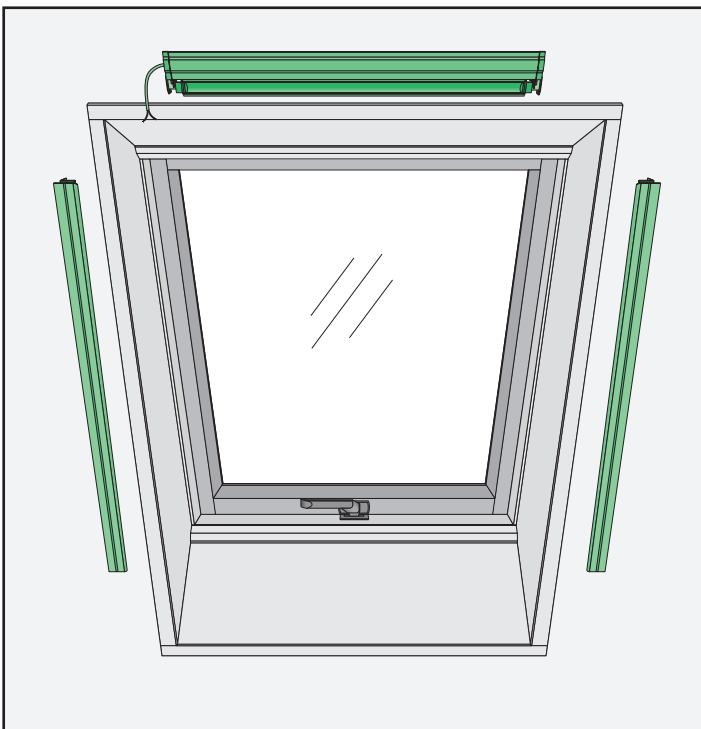
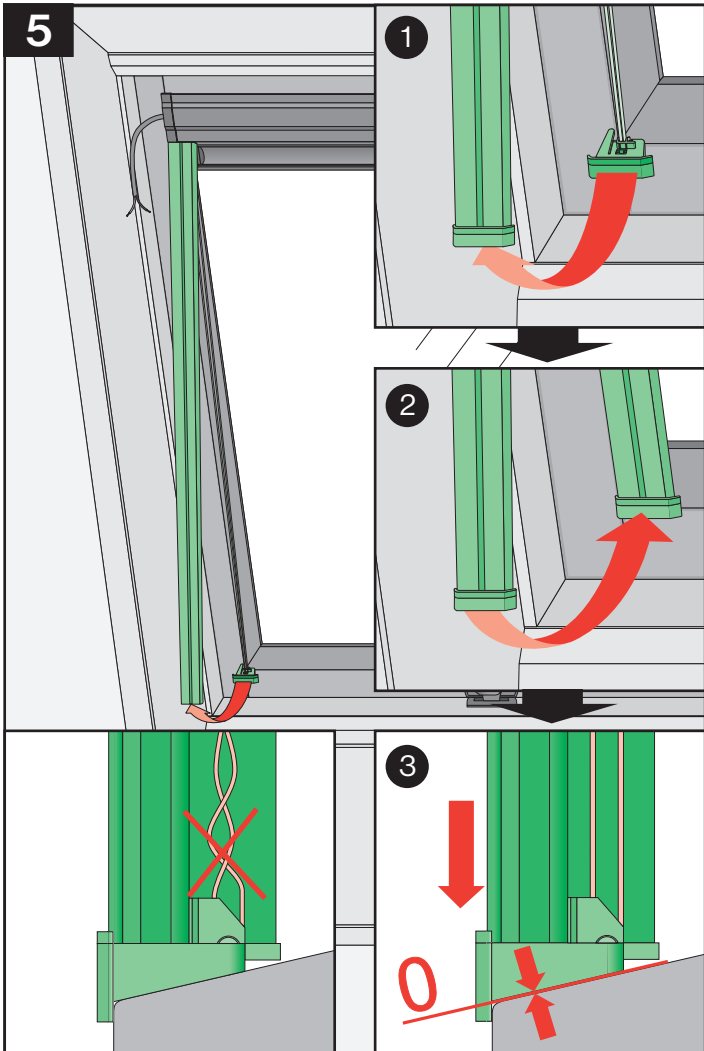
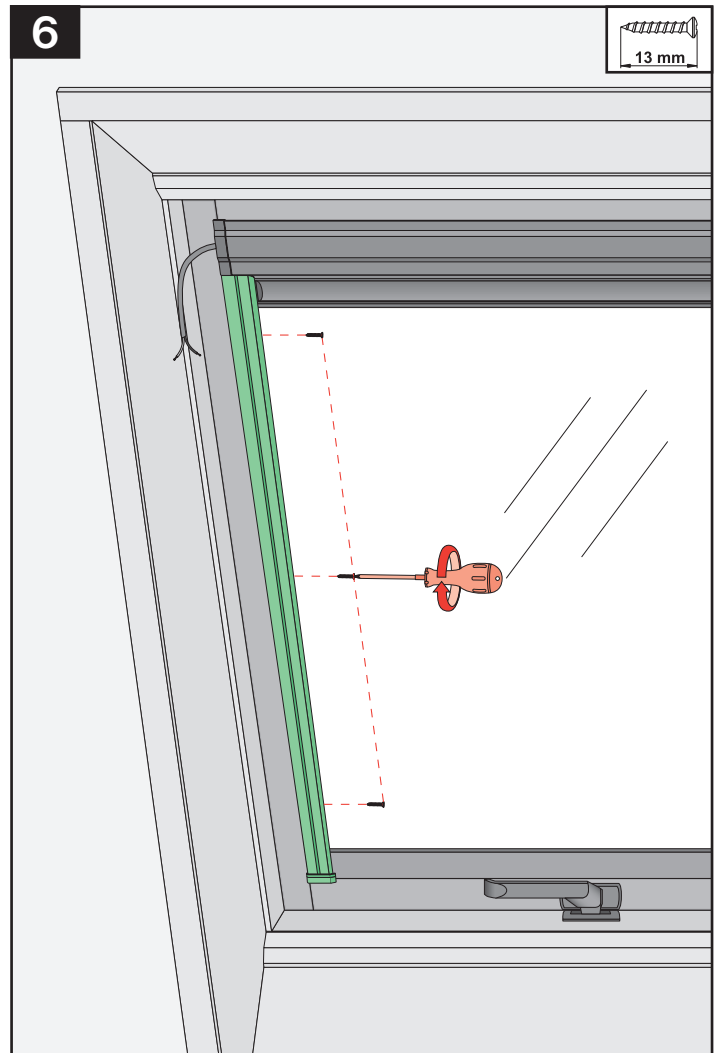
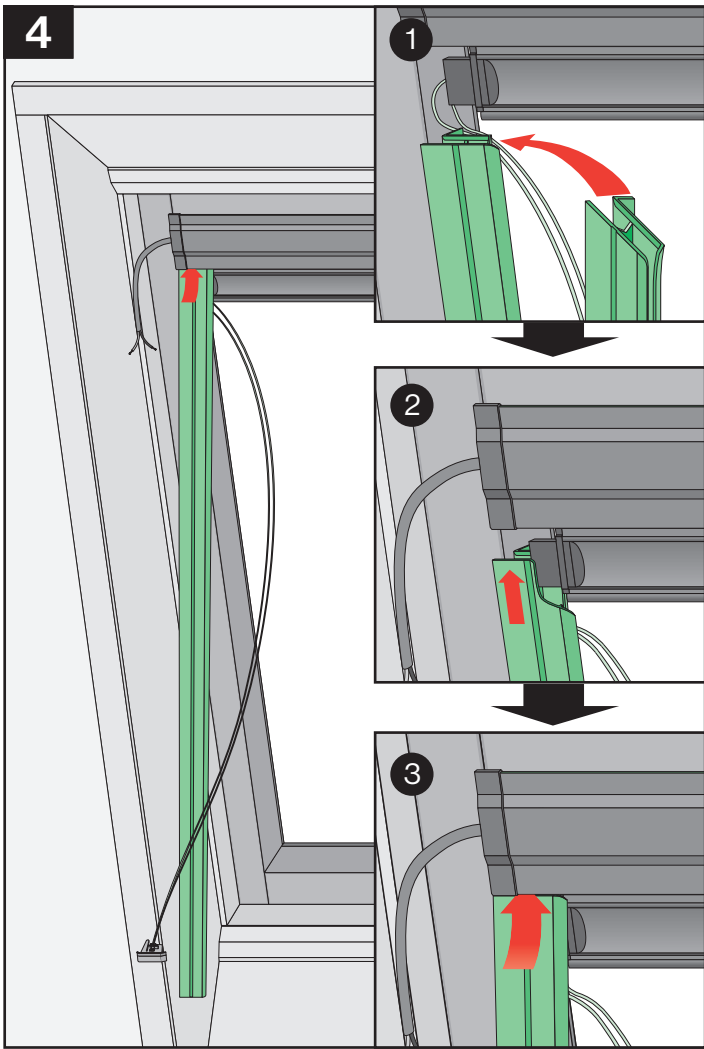
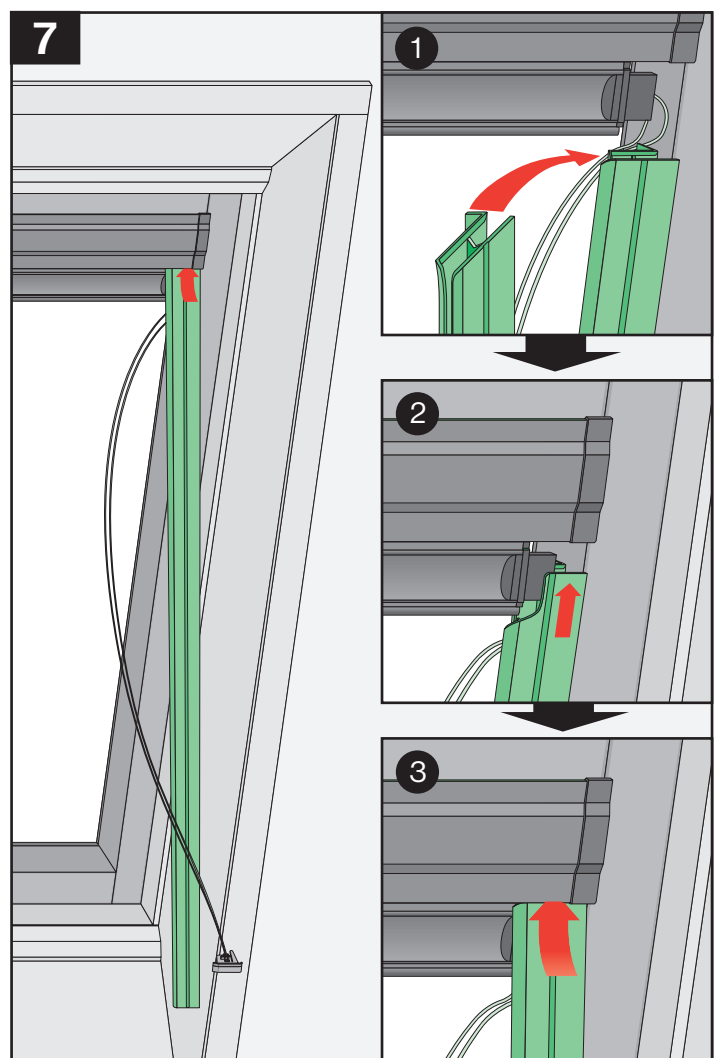


ARF-E

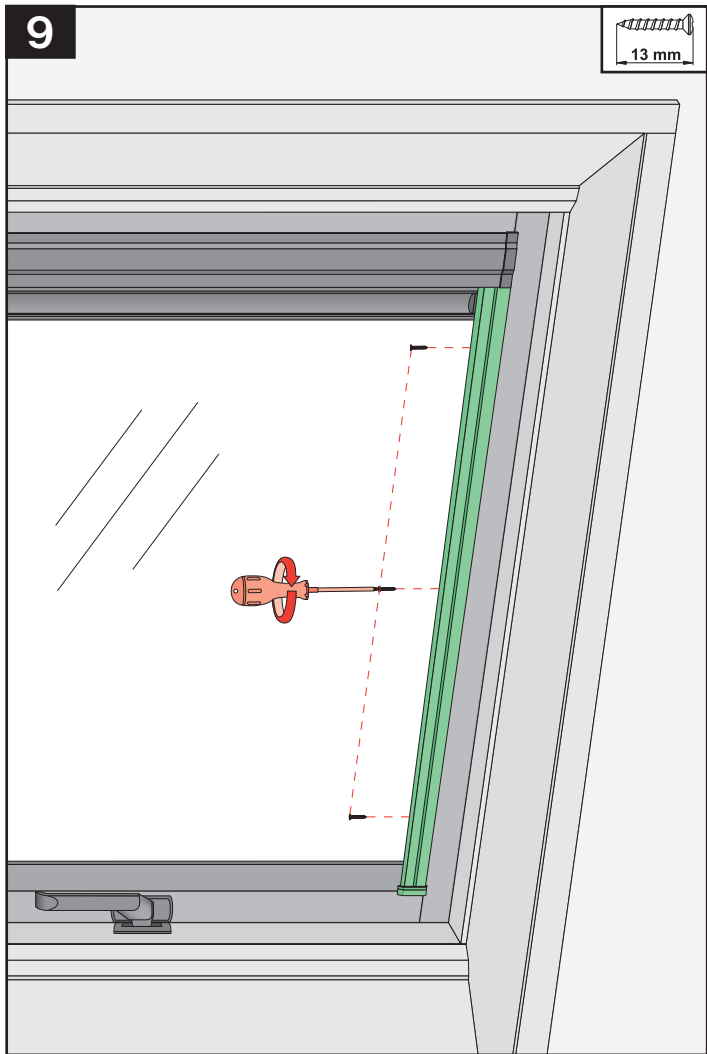
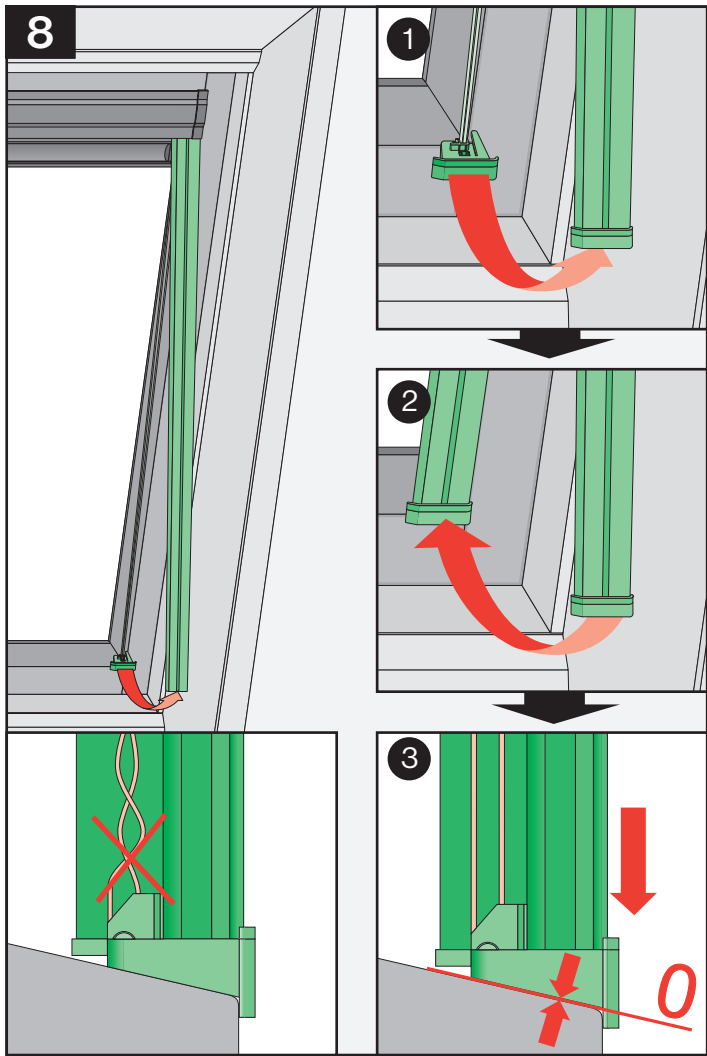




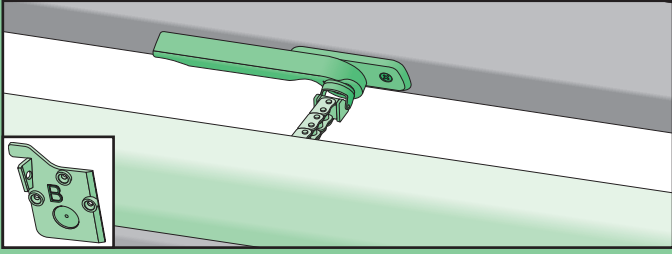
3



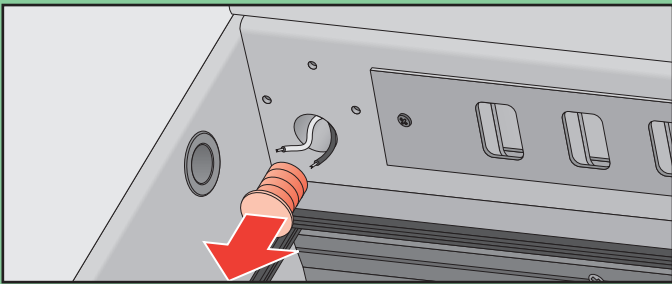
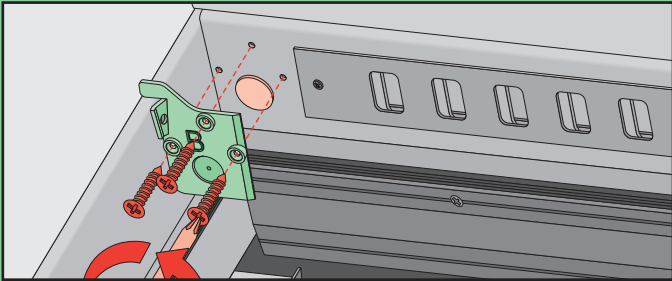
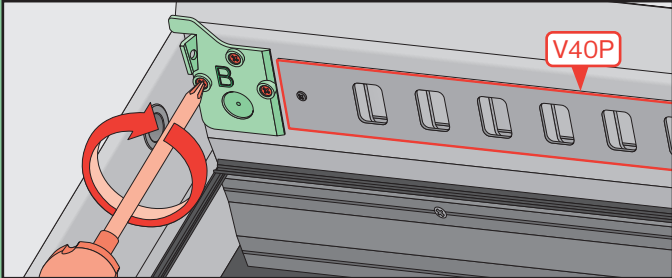
4



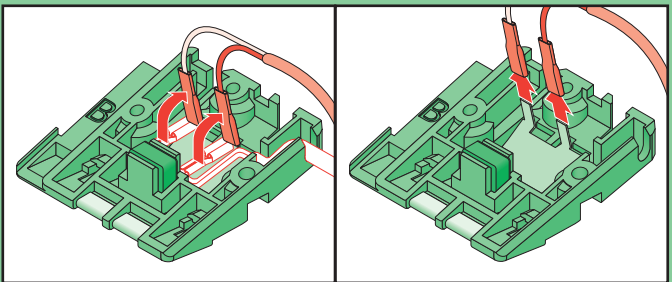
FTP-V ELECTRO



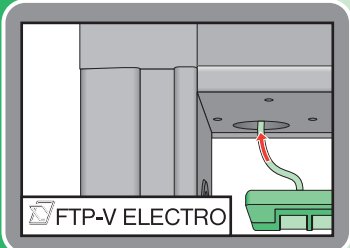
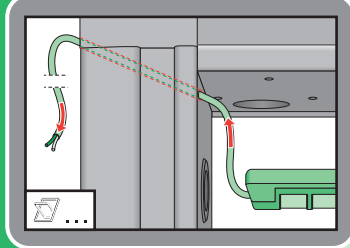
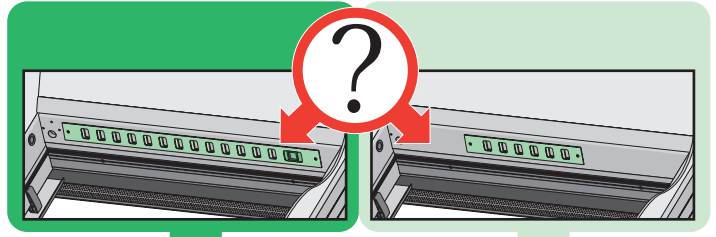
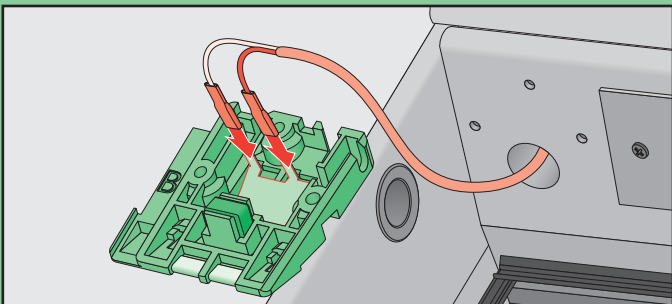
10



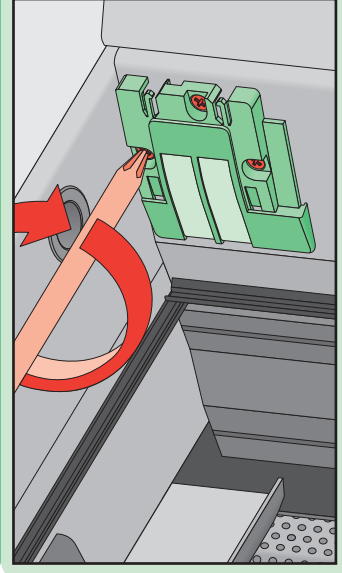
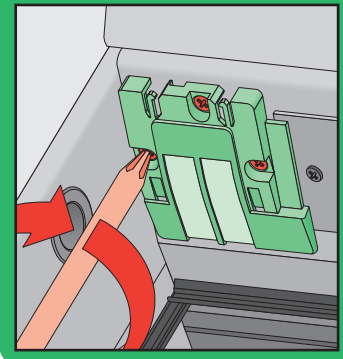
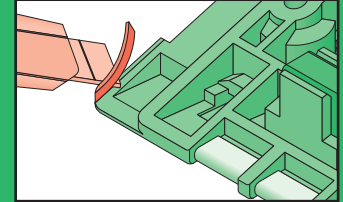
11



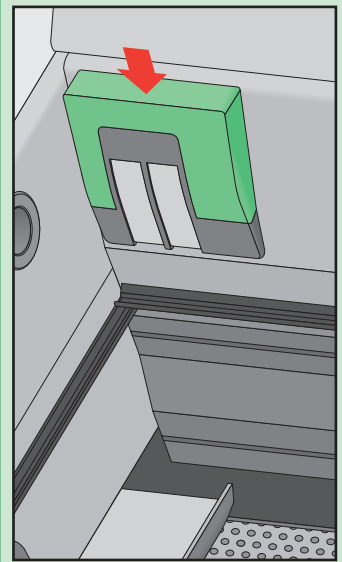
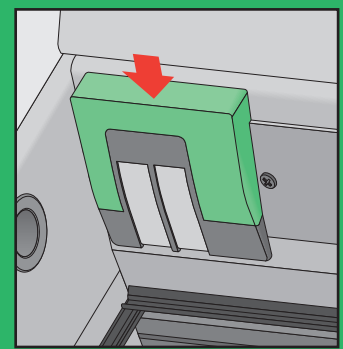
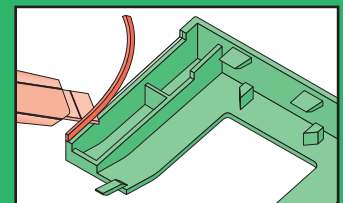
12



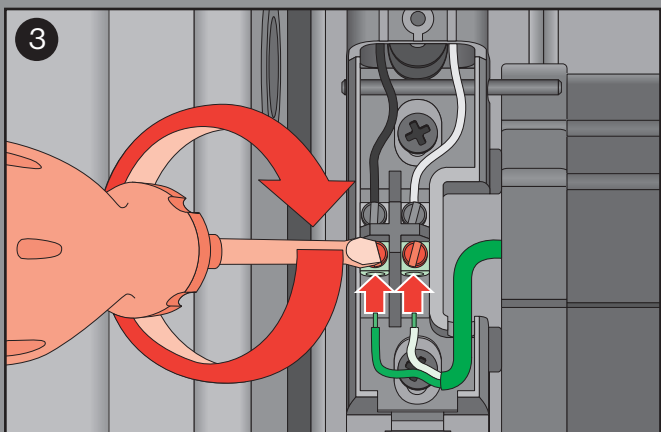
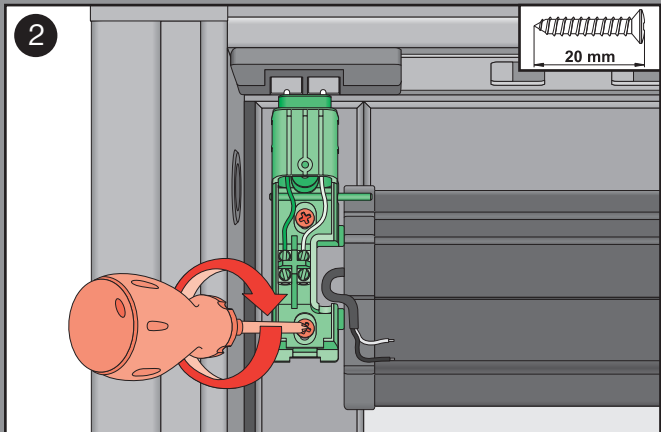
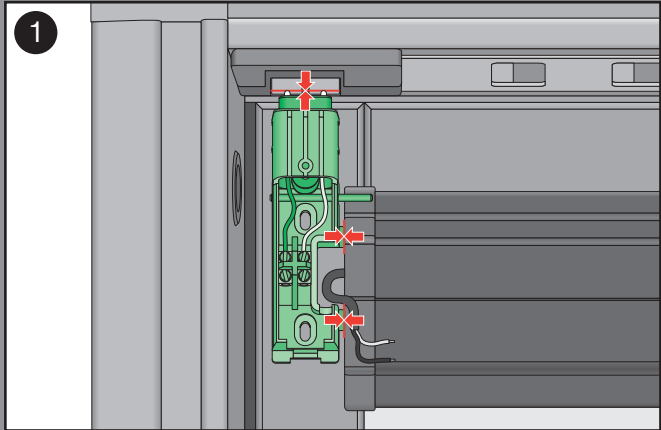
13



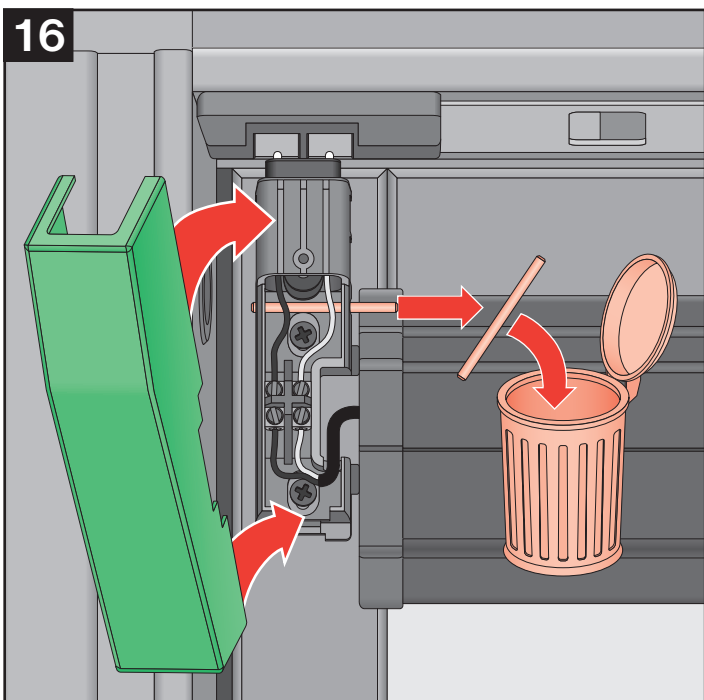
14



15



16



17

