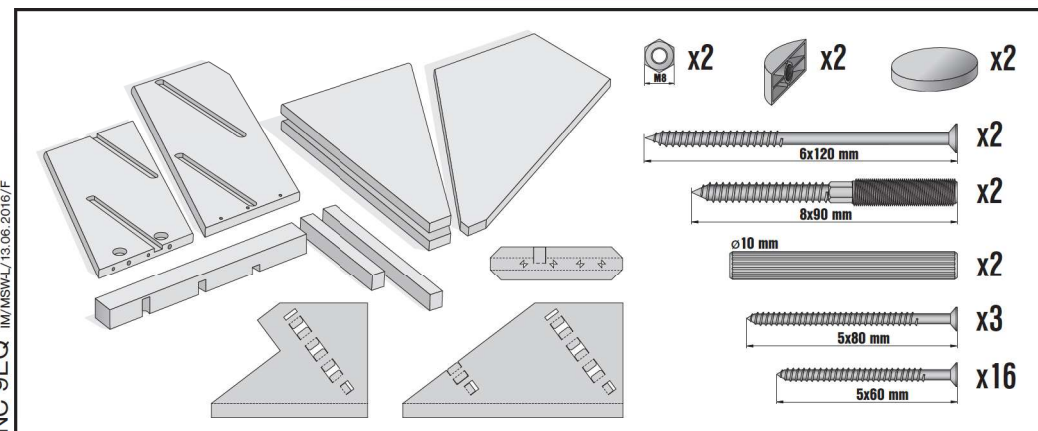
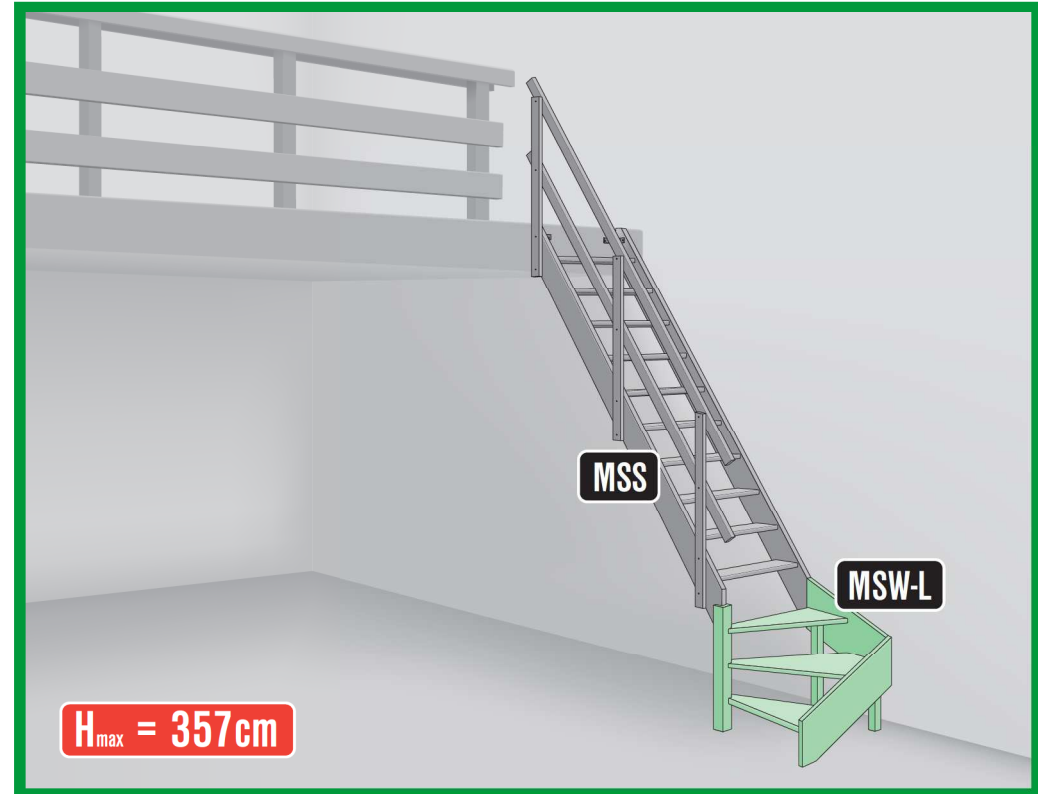
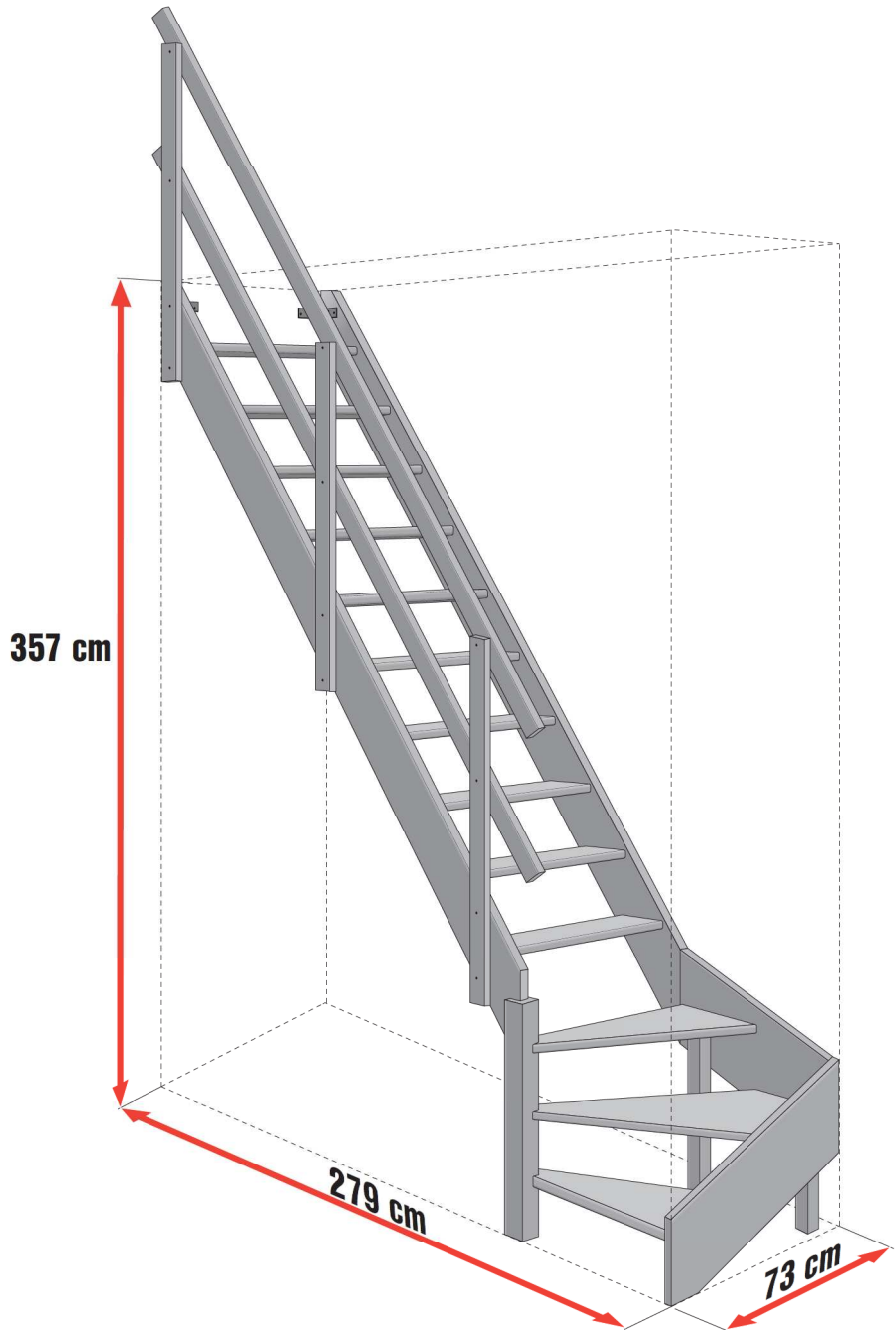
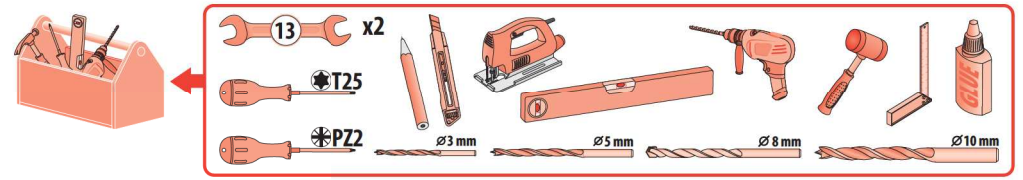
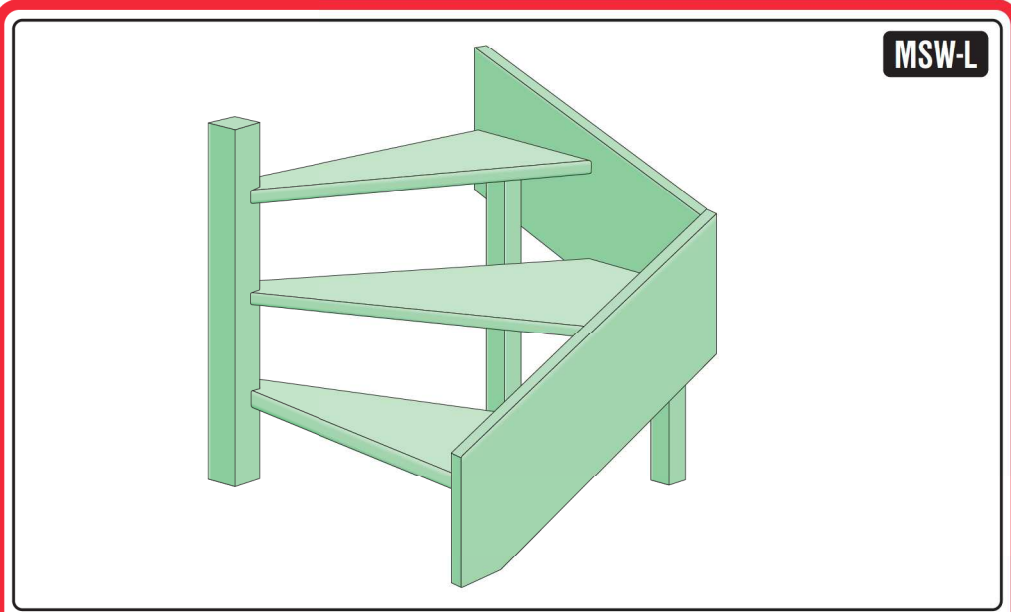


# MSW-L + MSS

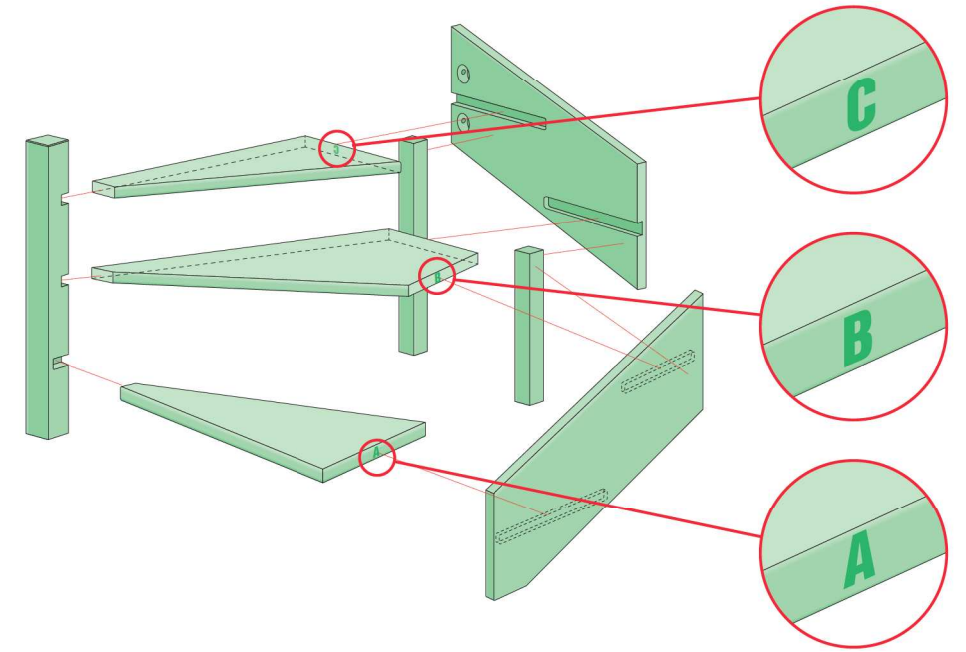




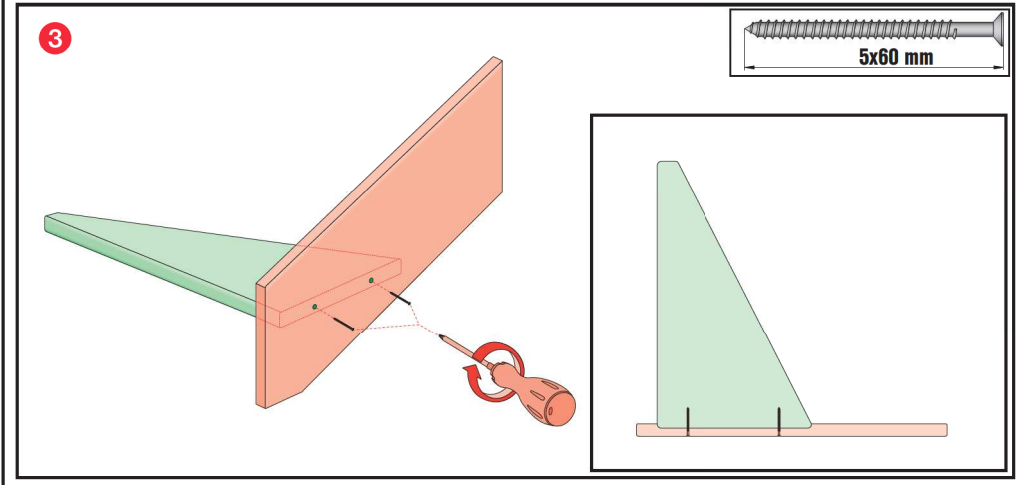
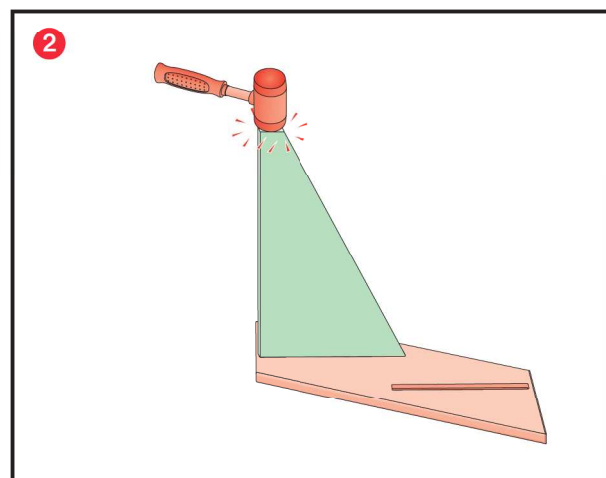
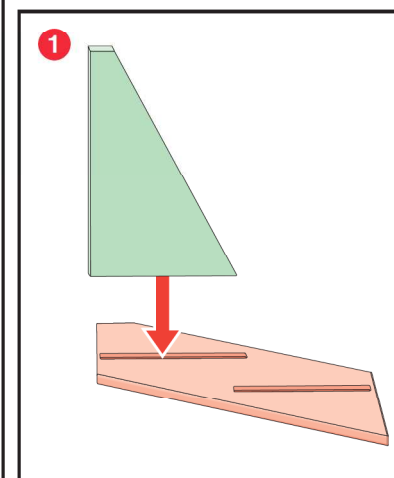
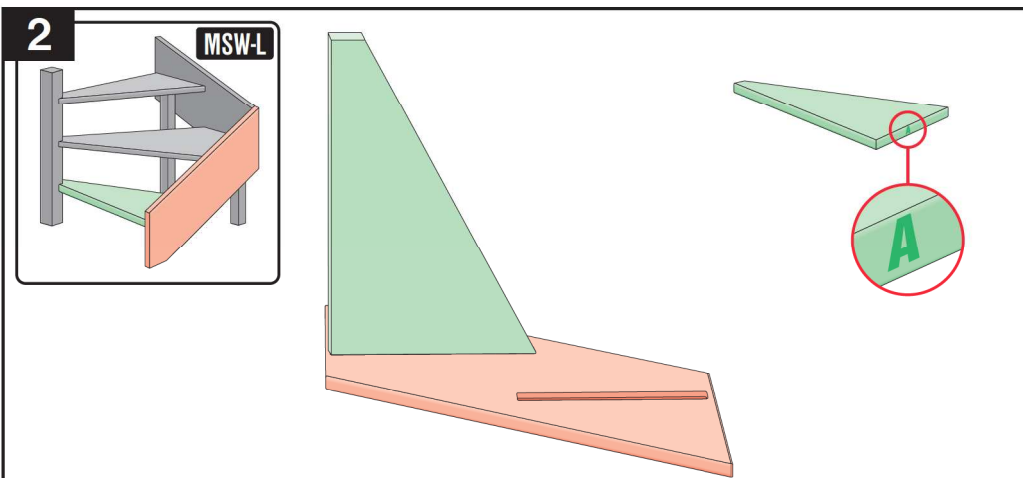
2



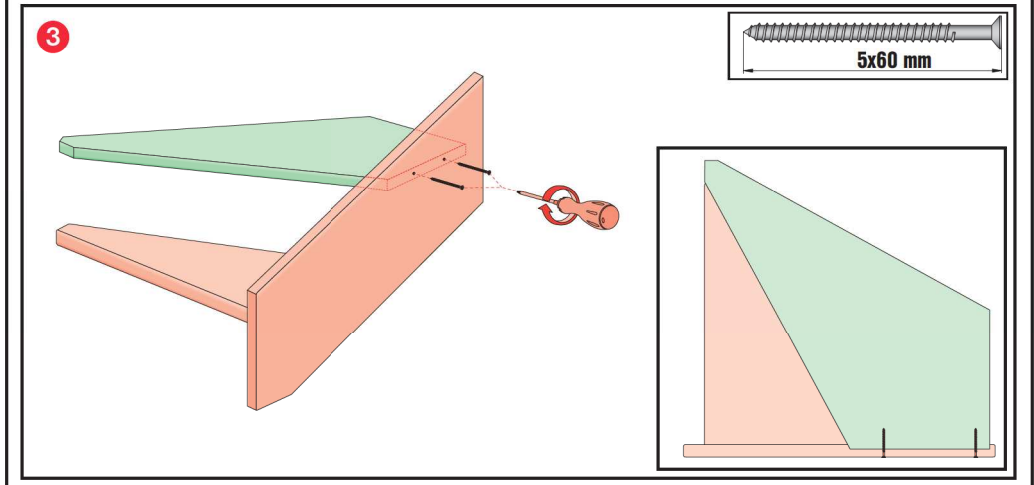
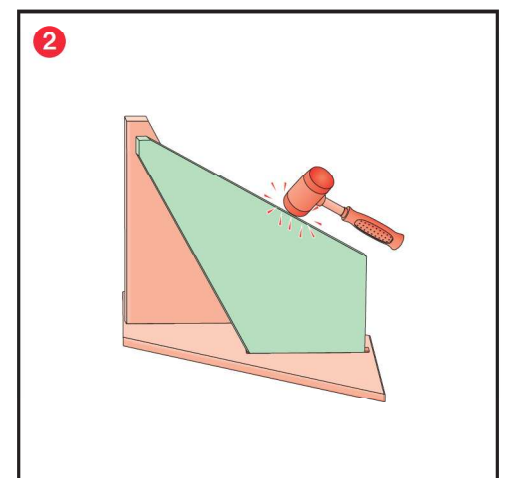
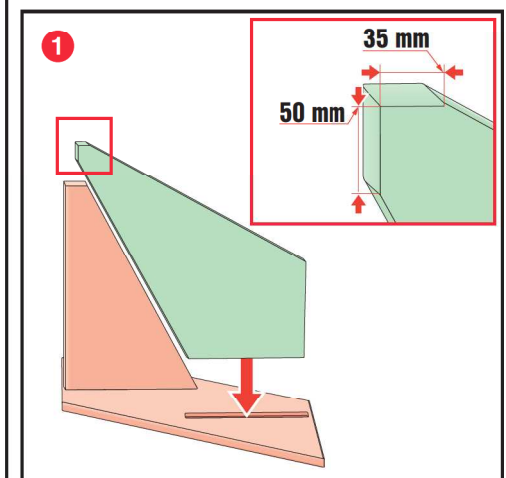
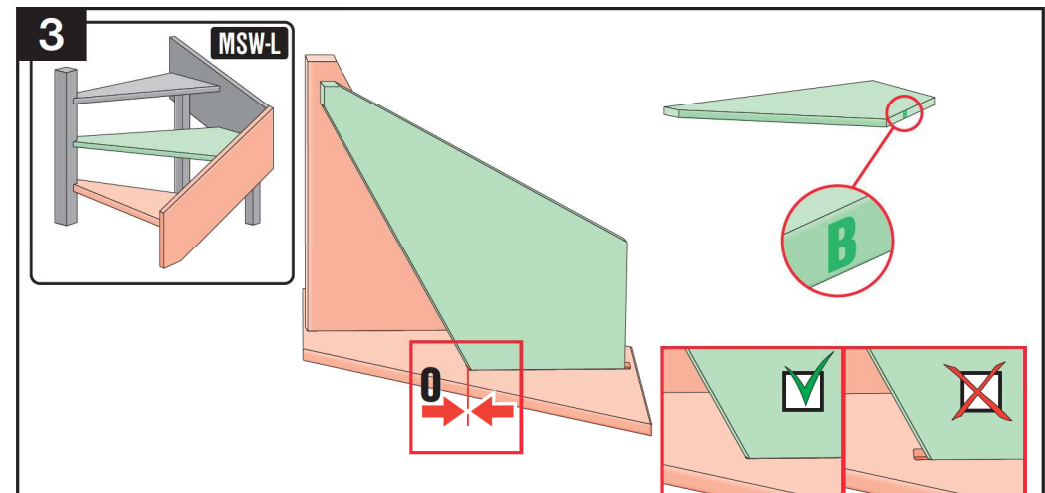
MSW-L



3



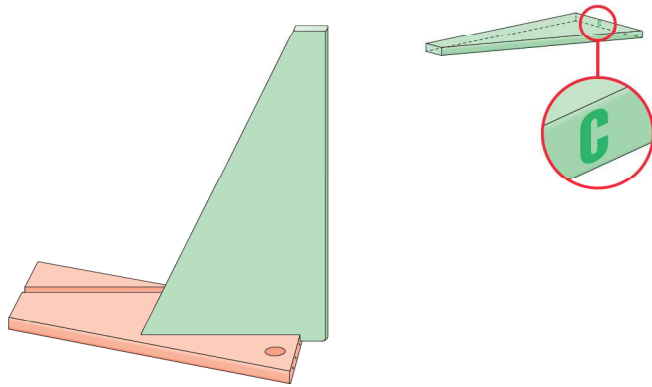
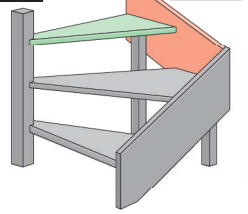
4



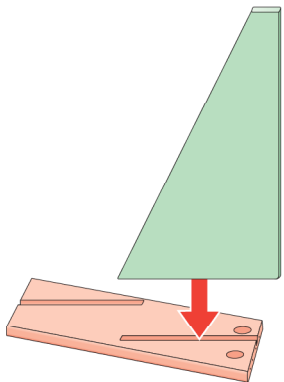
5

4

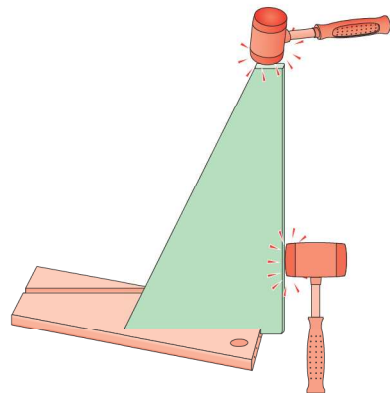
MSW-L



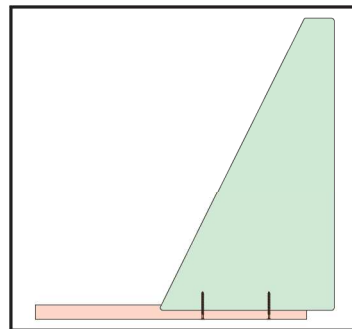
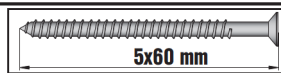
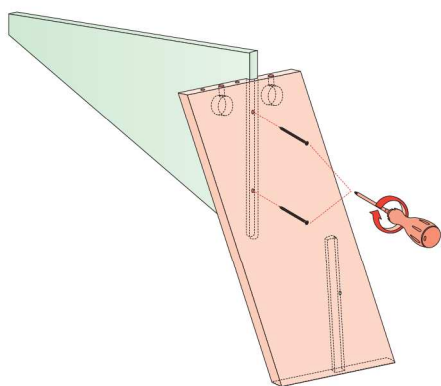
1



2



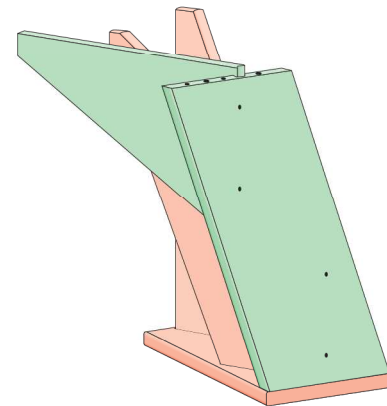
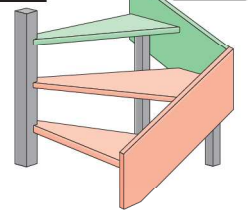
3



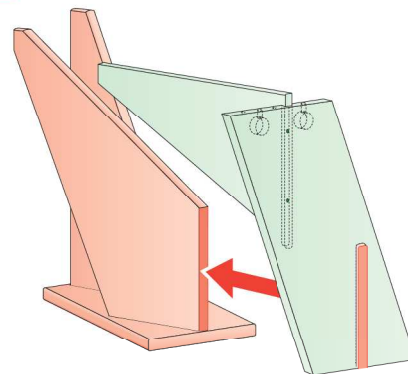
6

5

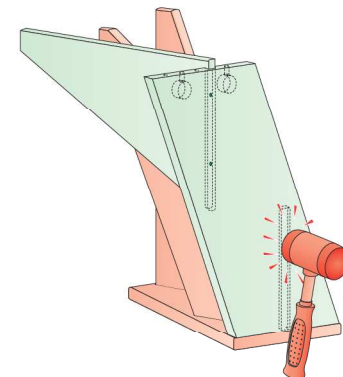
MSW-L



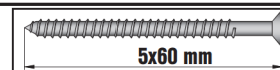
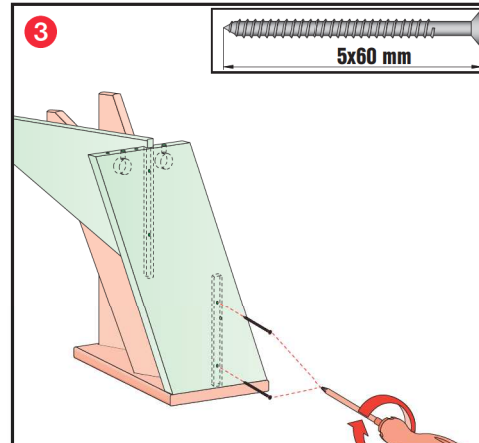
1



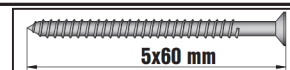
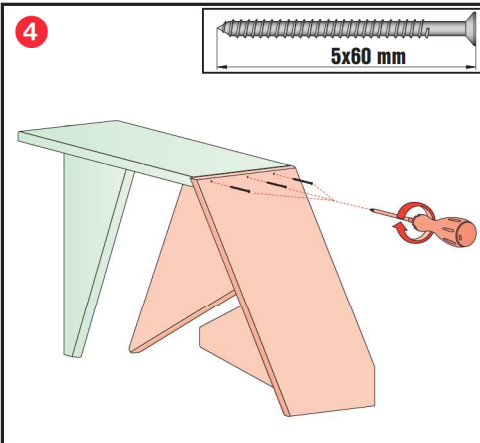
2



3



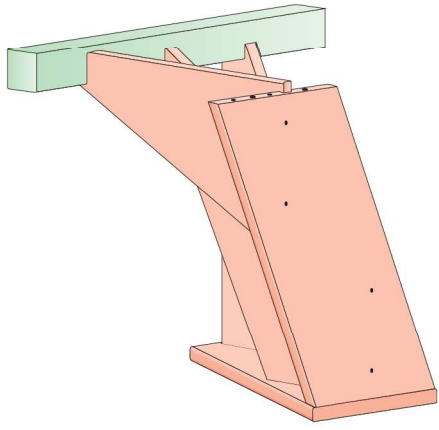
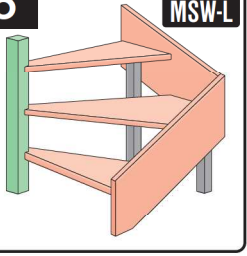
4



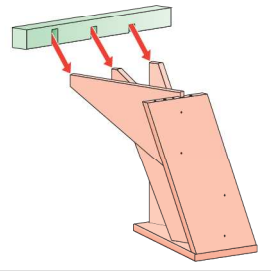
7

6

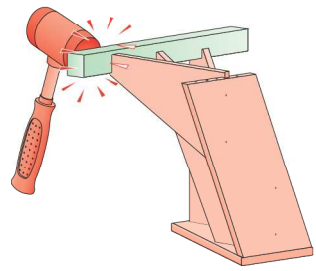
MSW-L



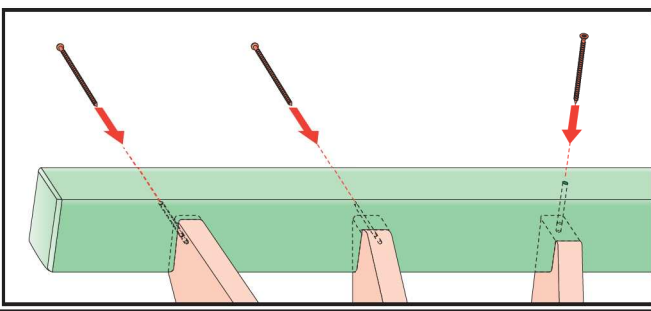
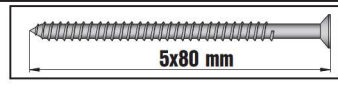
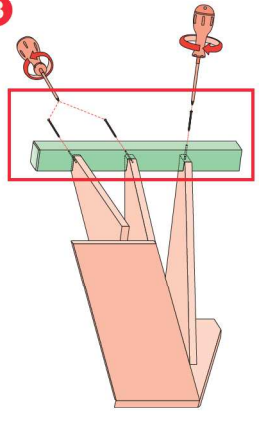
1



2



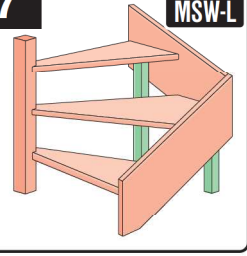
3



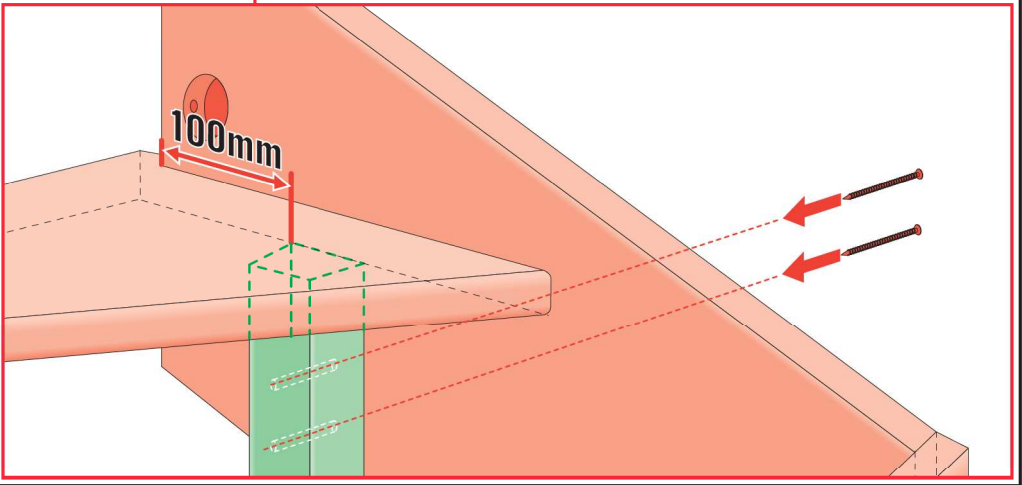
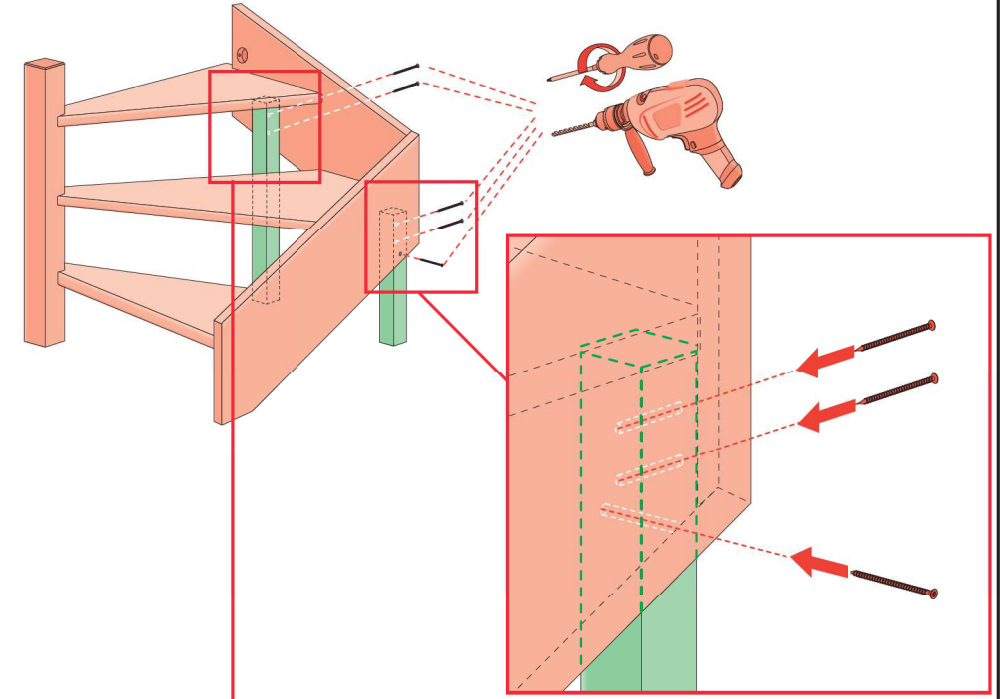
8

7

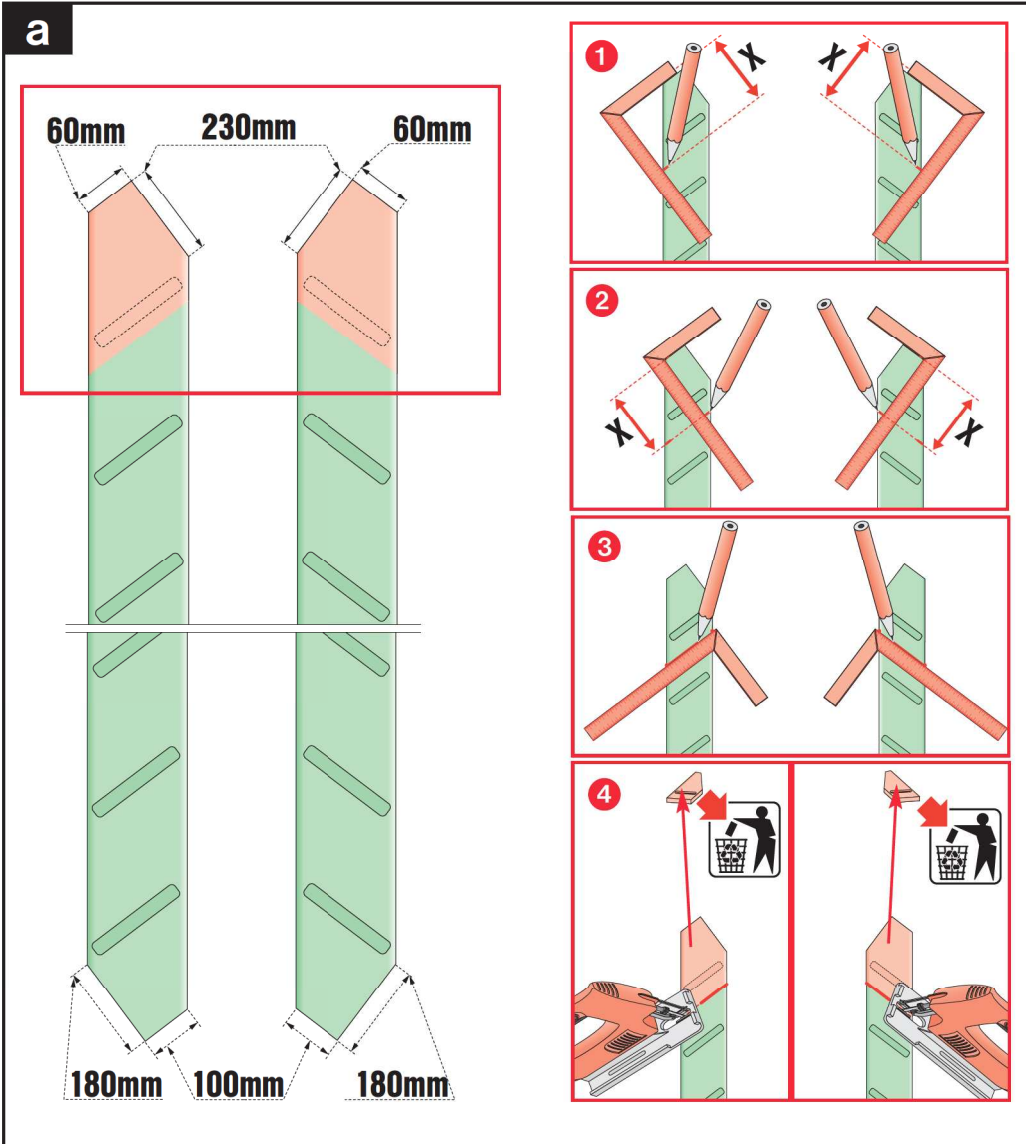
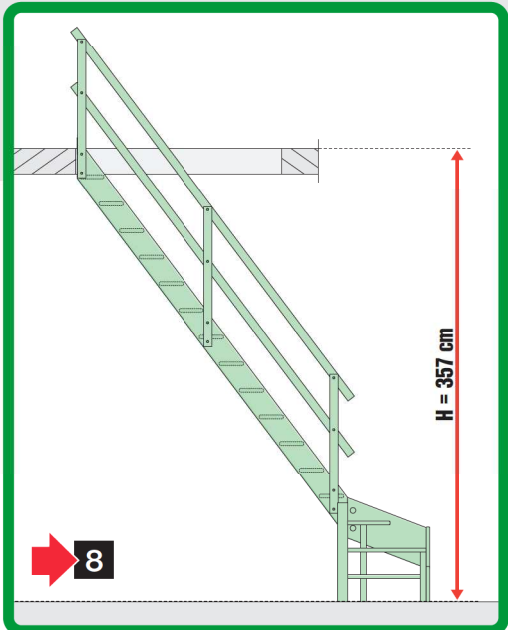
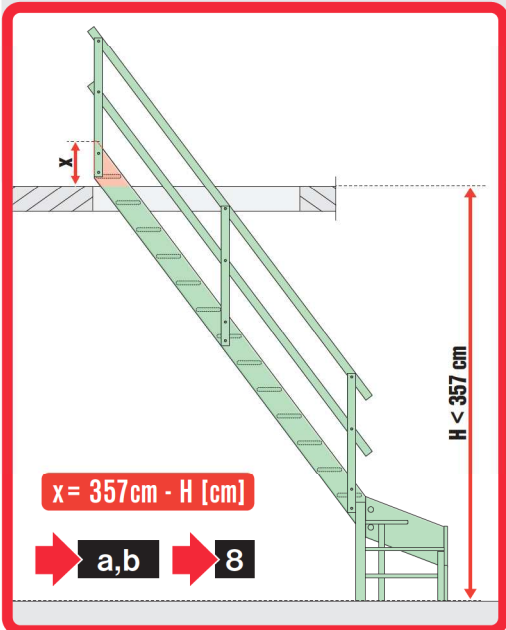
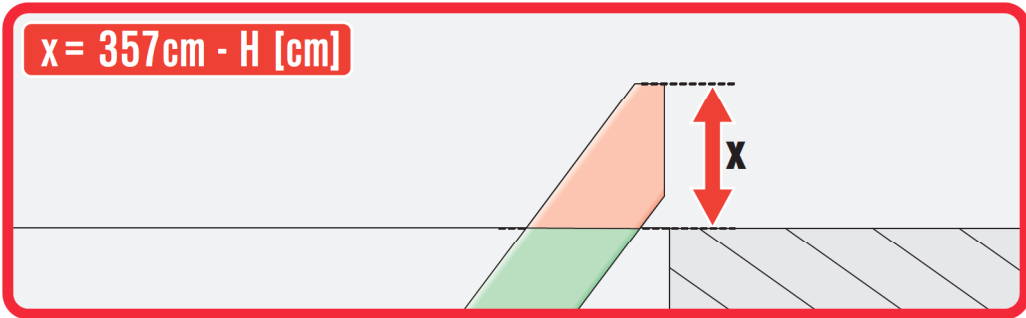
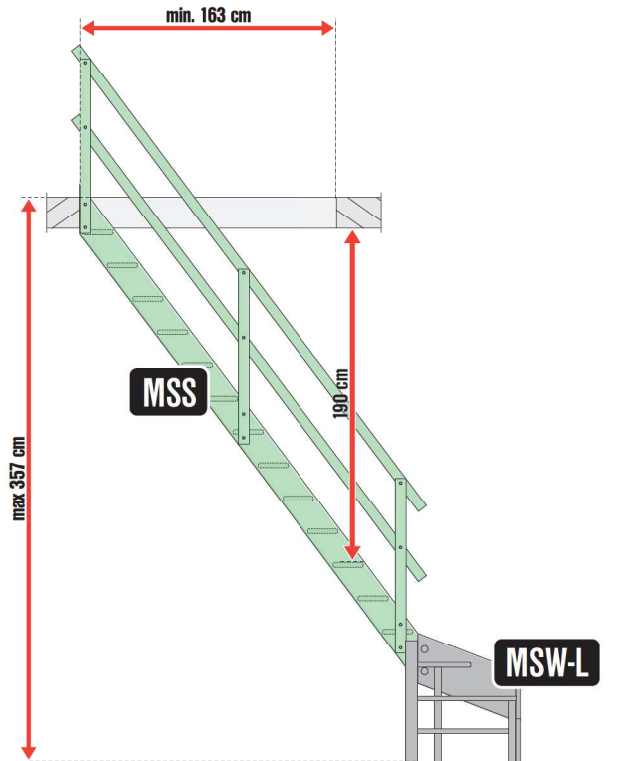
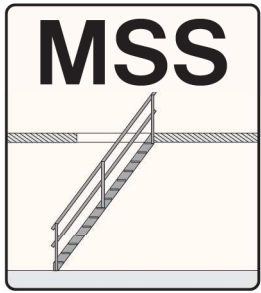
MSW-L

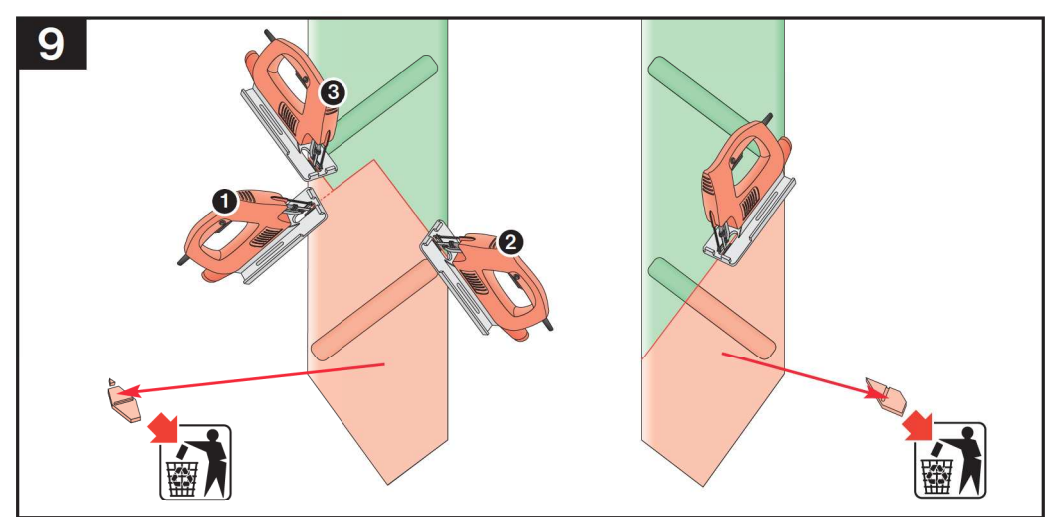
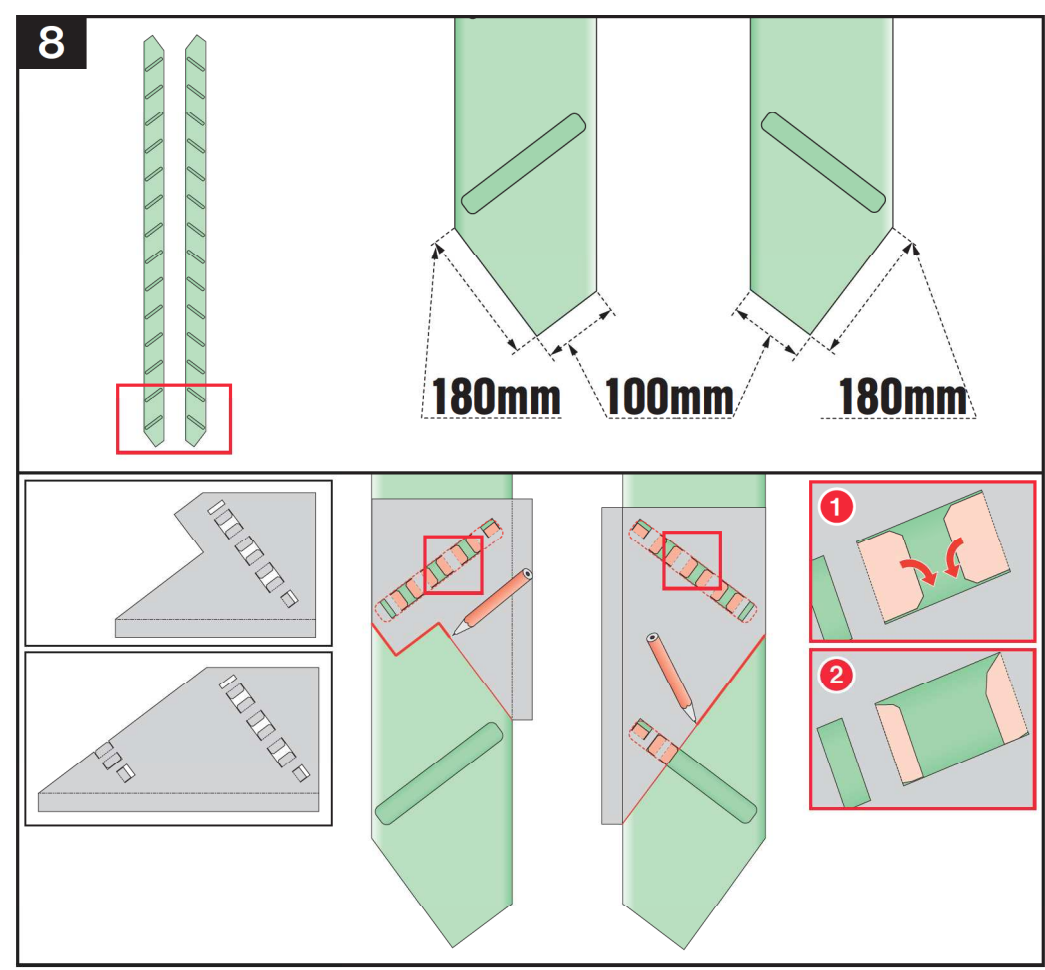
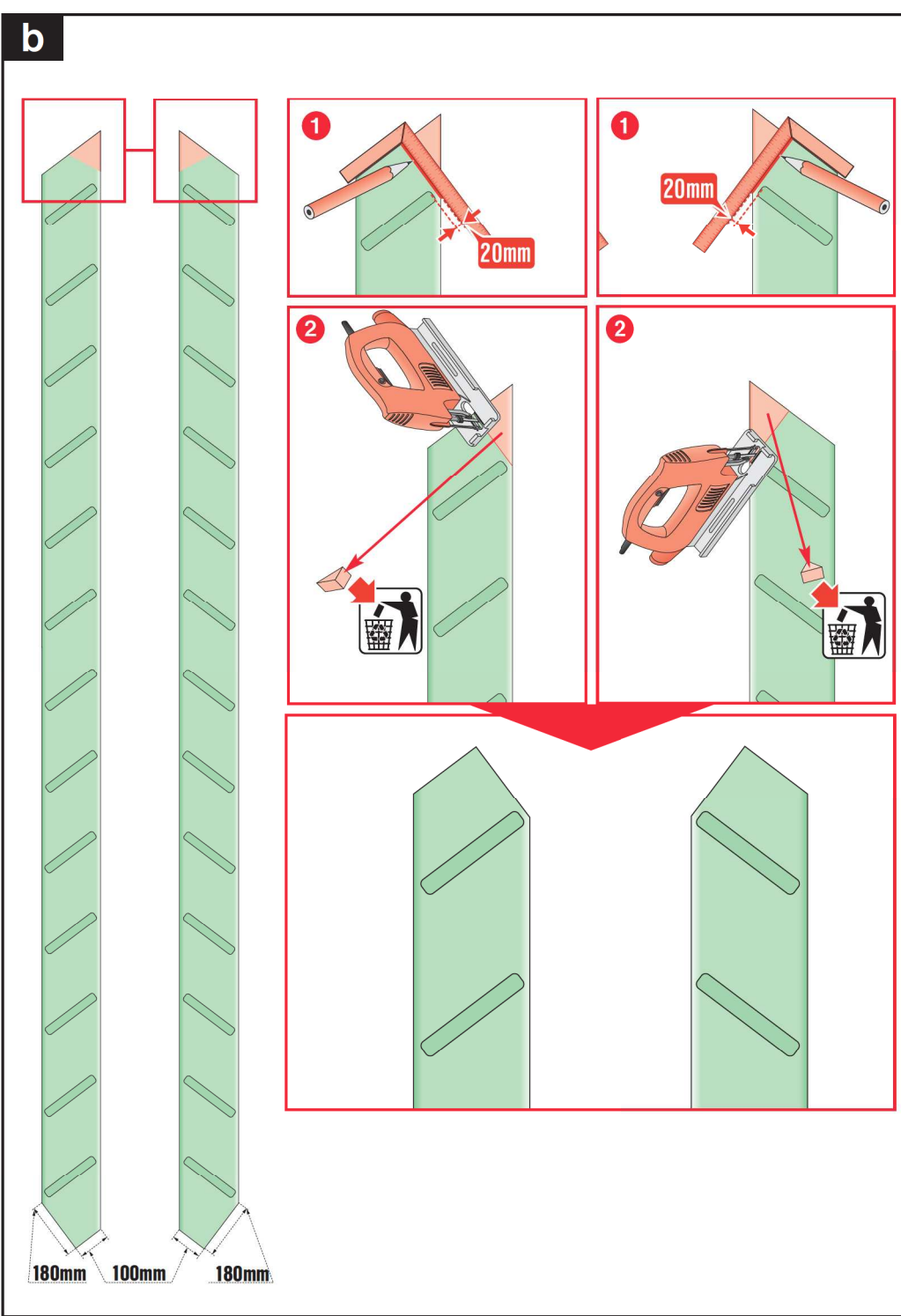


- 1 Ø 3 mm
- 2 5x60 mm



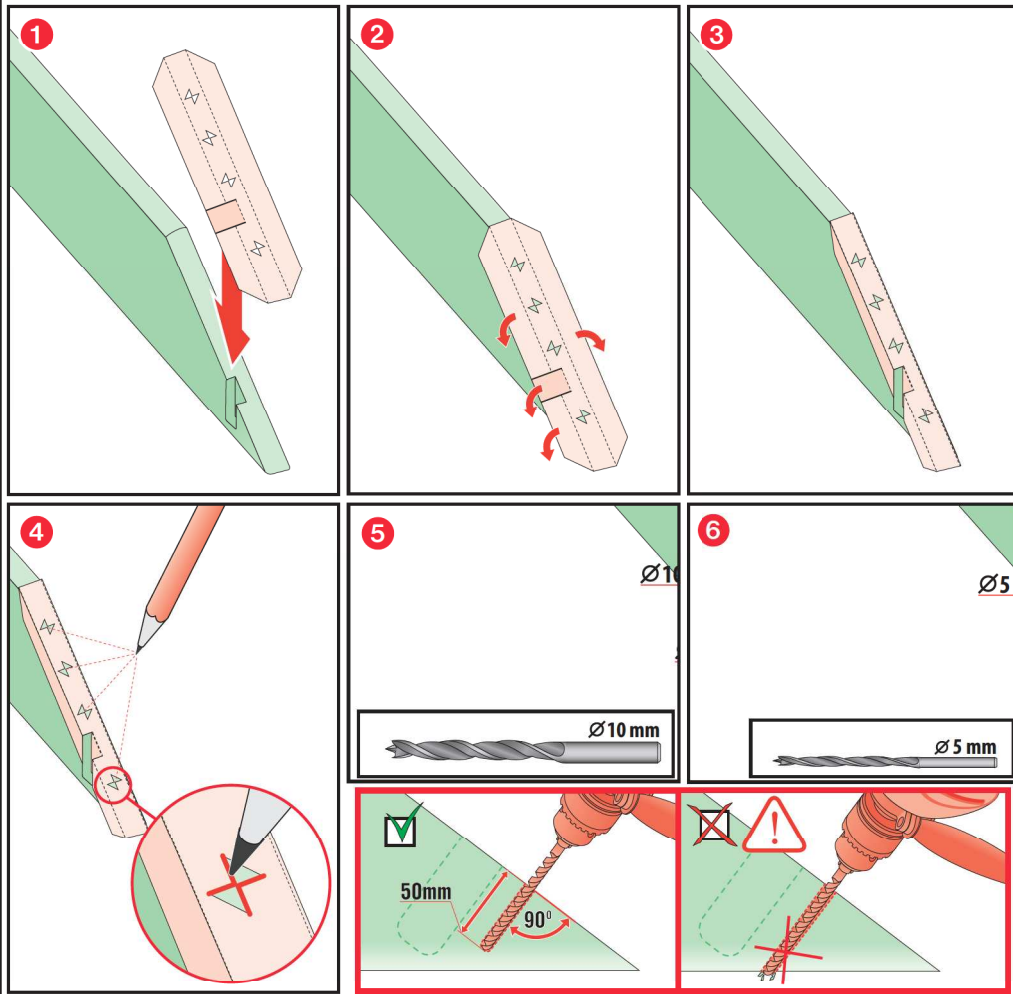
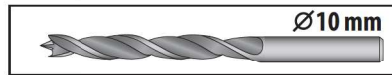
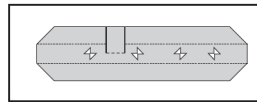
9





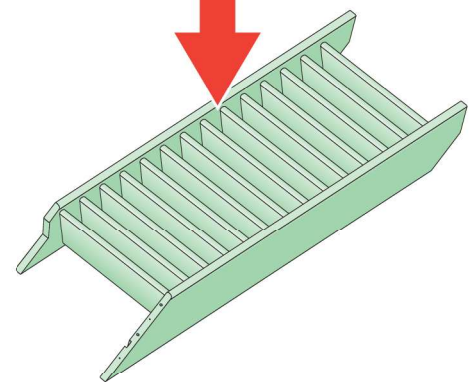
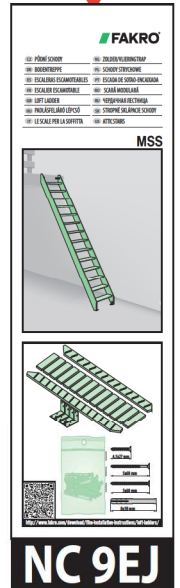
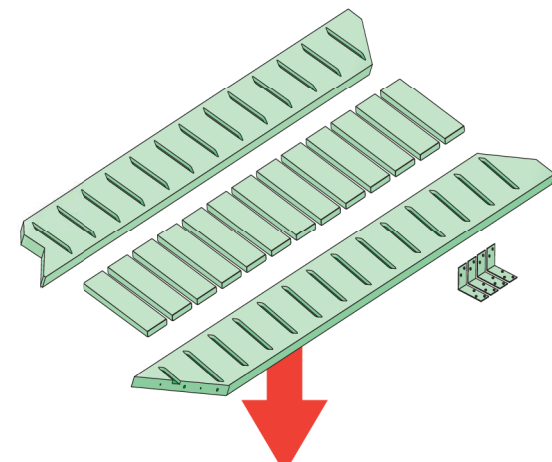
10

Ø10 mm  
 Ø5 mm  
 Ø10 mm  
 Ø5 mm



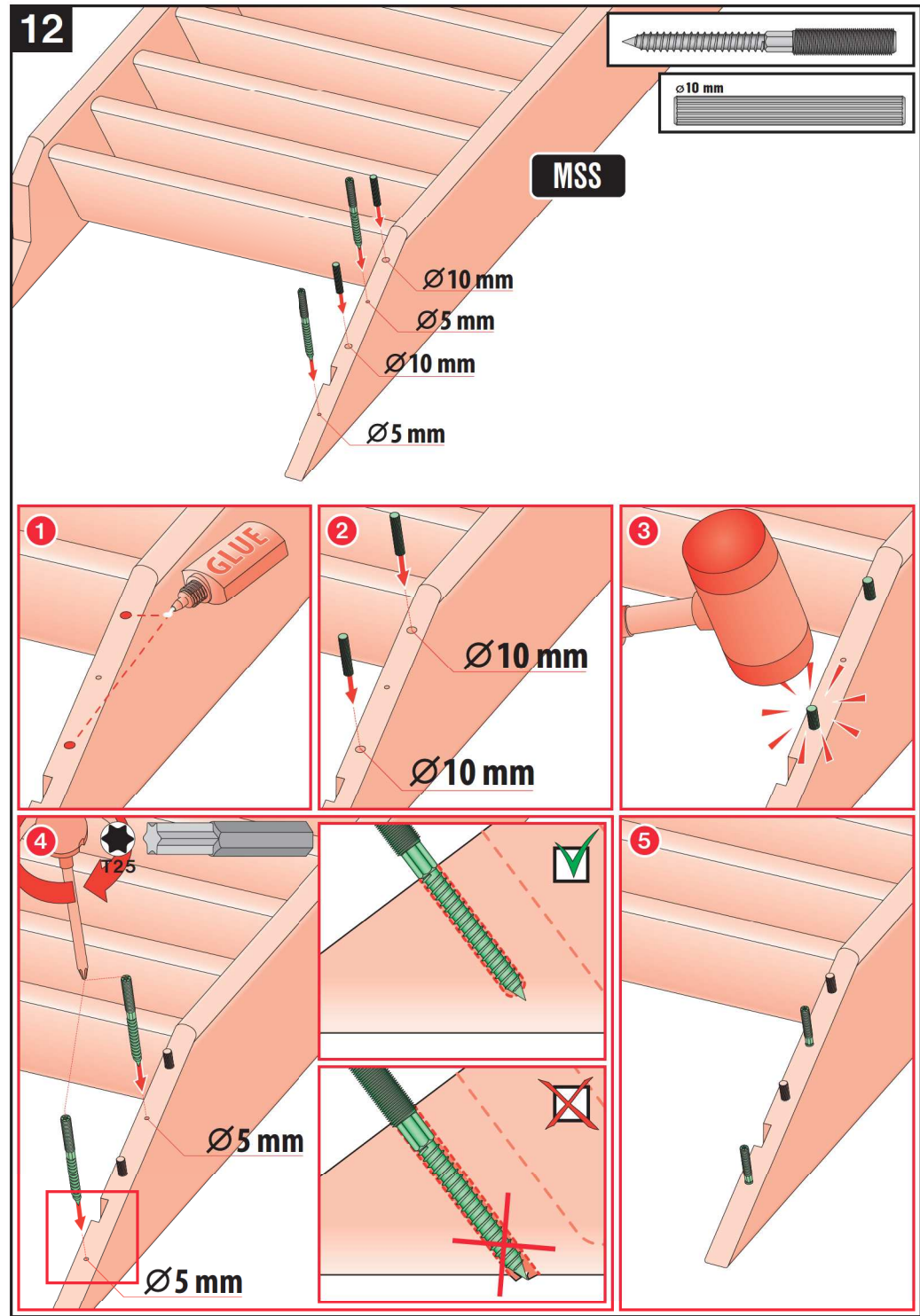
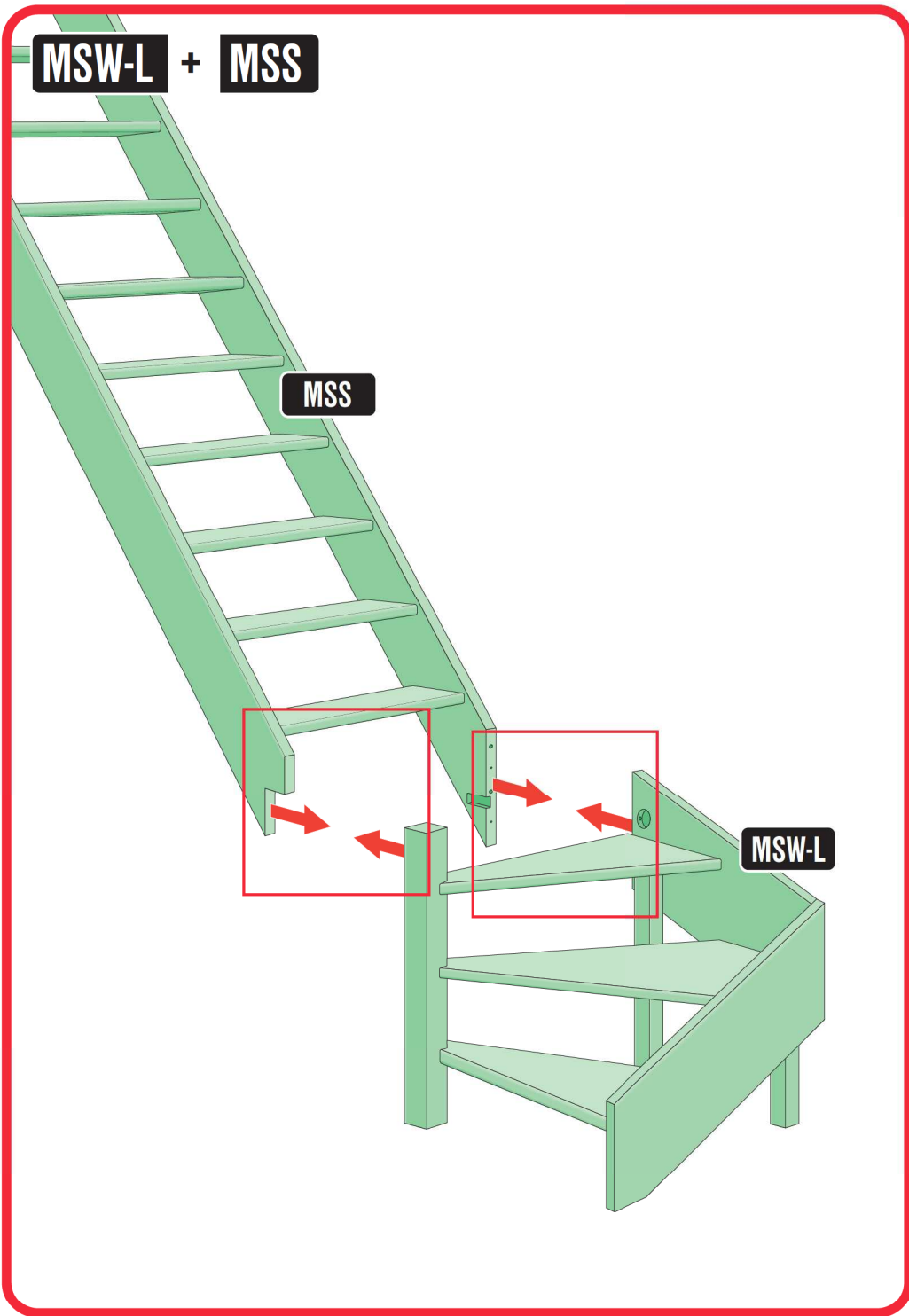
14

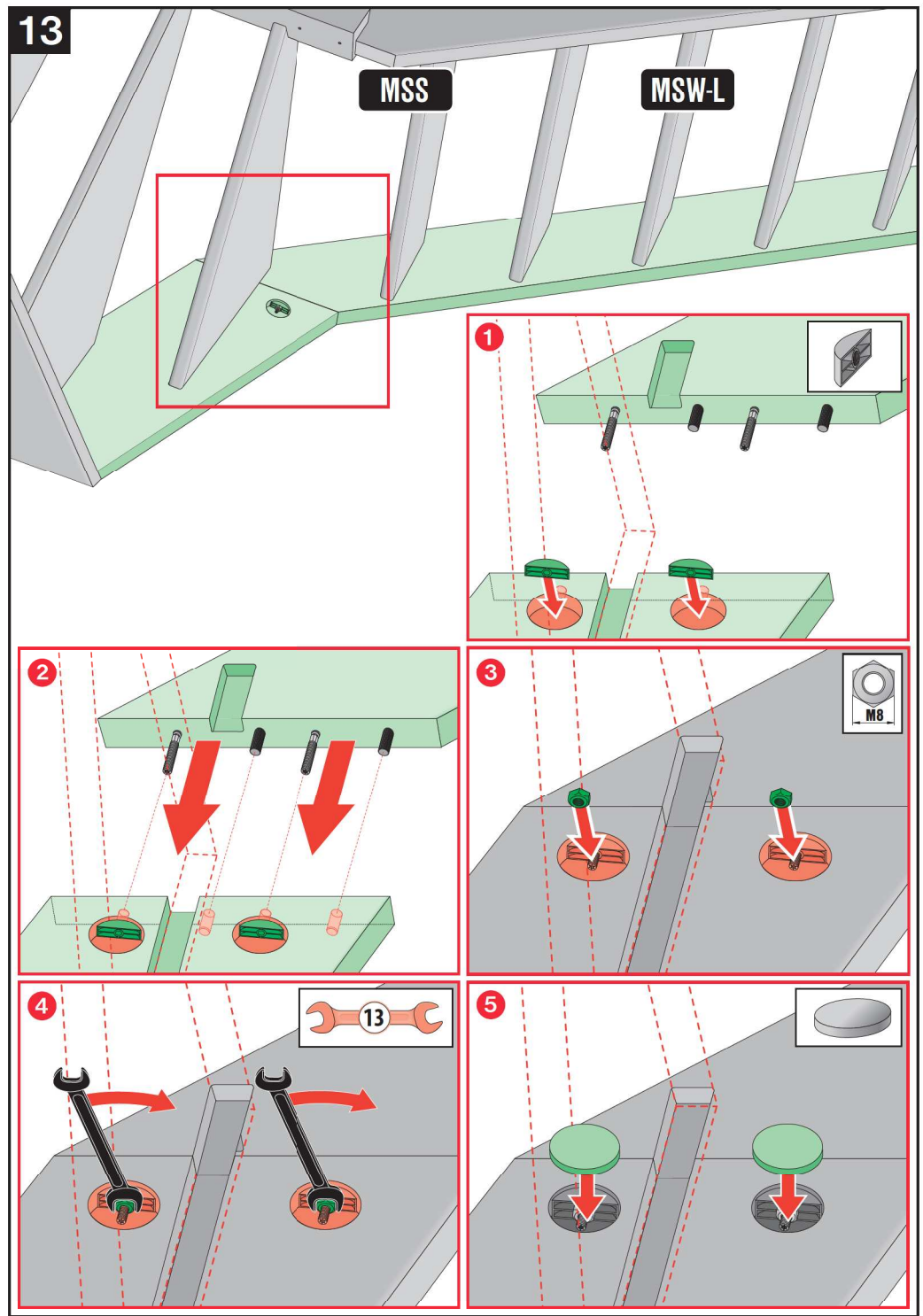
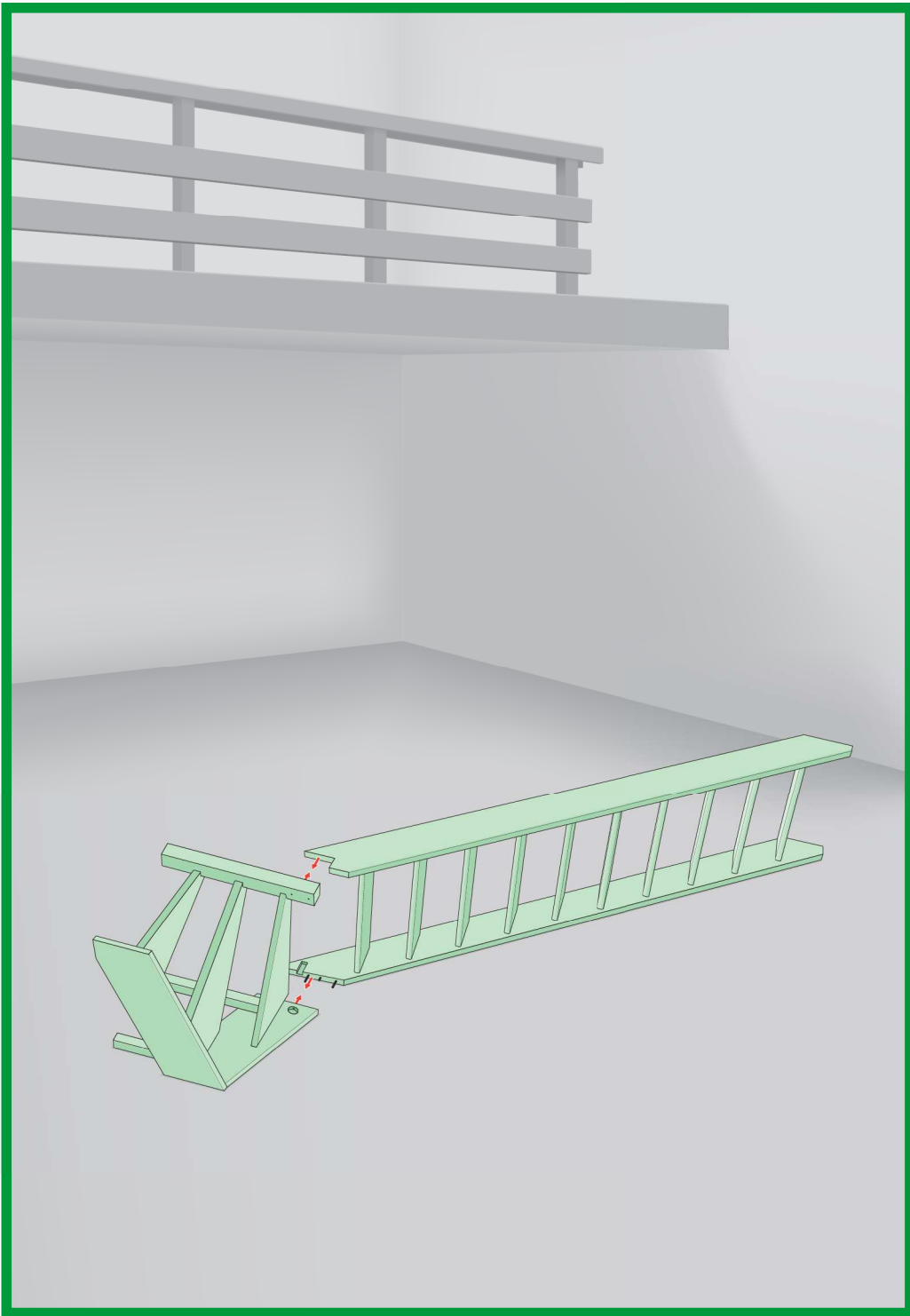
11



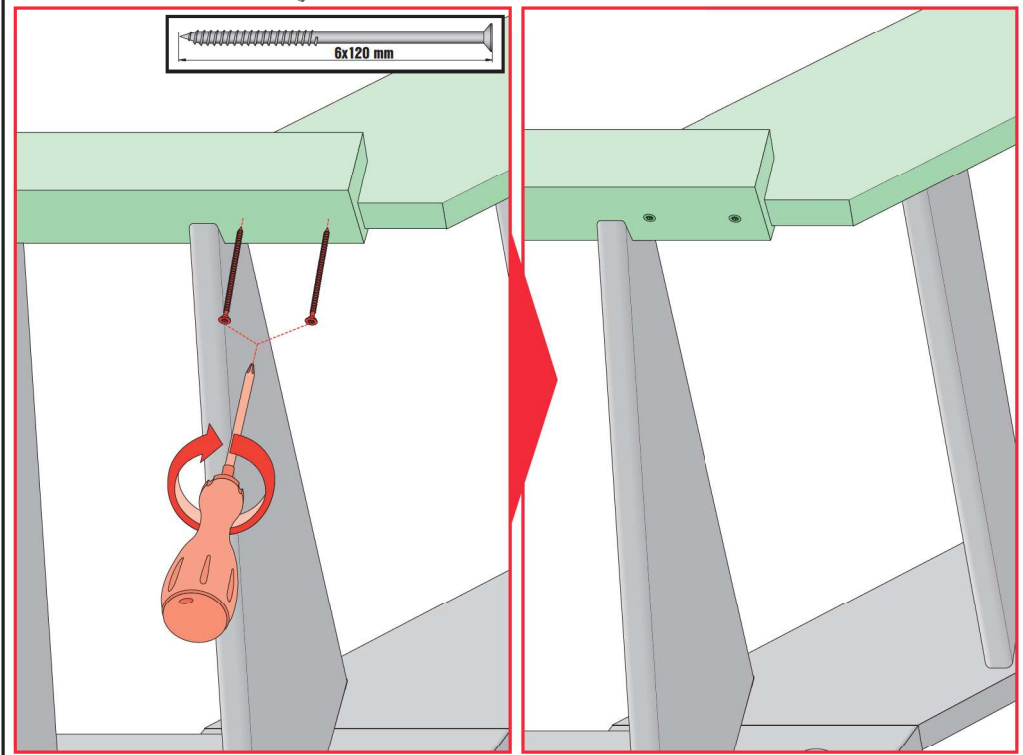
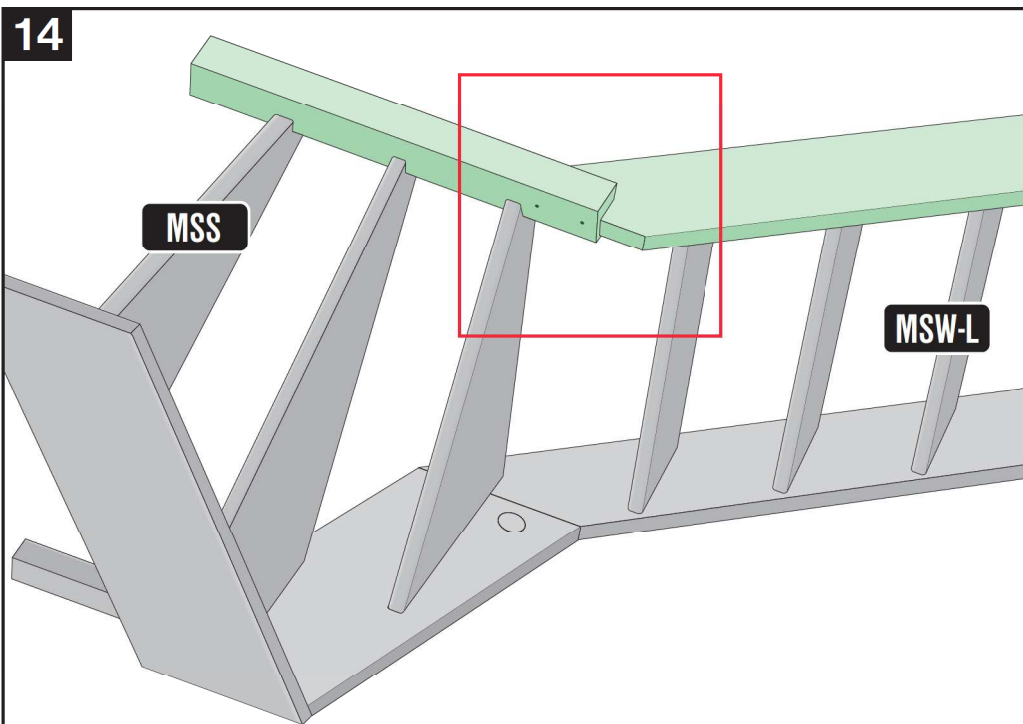
15



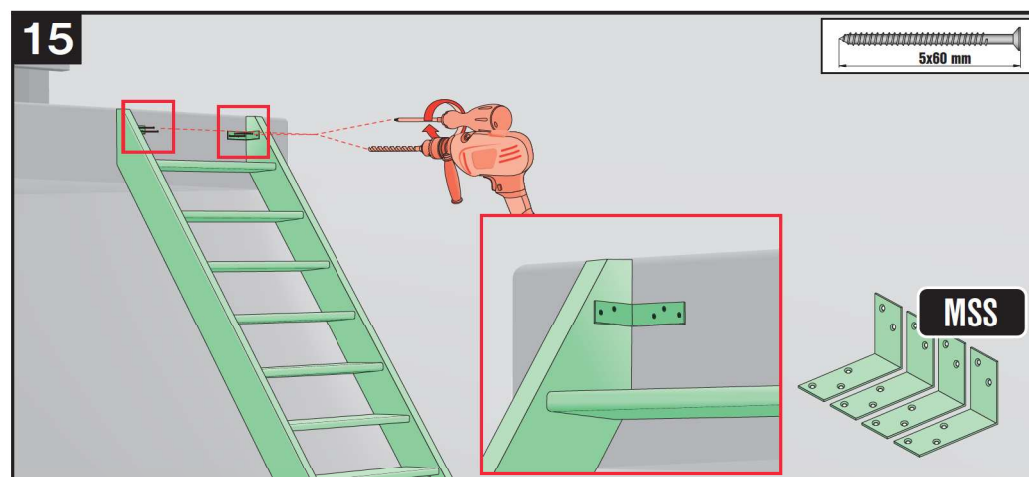
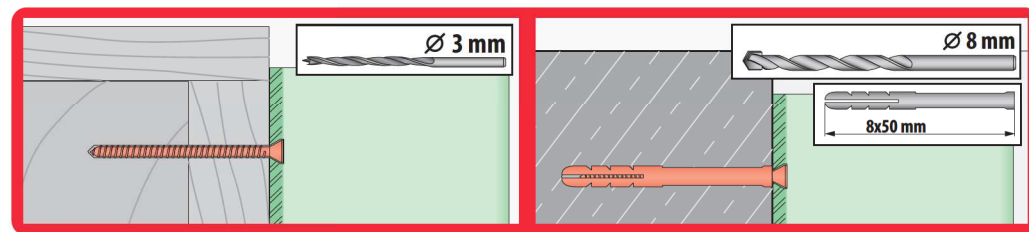




14



20



21

